

Date Installed: 11-8-05
 Installed by: Vernon Nagel Constr.
 Inspected by: Rex Moll

Res# 626
 W. Main St.

Porch

6" SDR³⁵ plug
 3' Deep

3.5'

upstream
 SAN. M.H.

side walk

6" 45°
 Bends

6.75'

28.5'

16.5'

10" v.t.
 san. main.

7.5' Deep Top of Pipe

6" 45°
 Bends

sidewalk
 3' deep

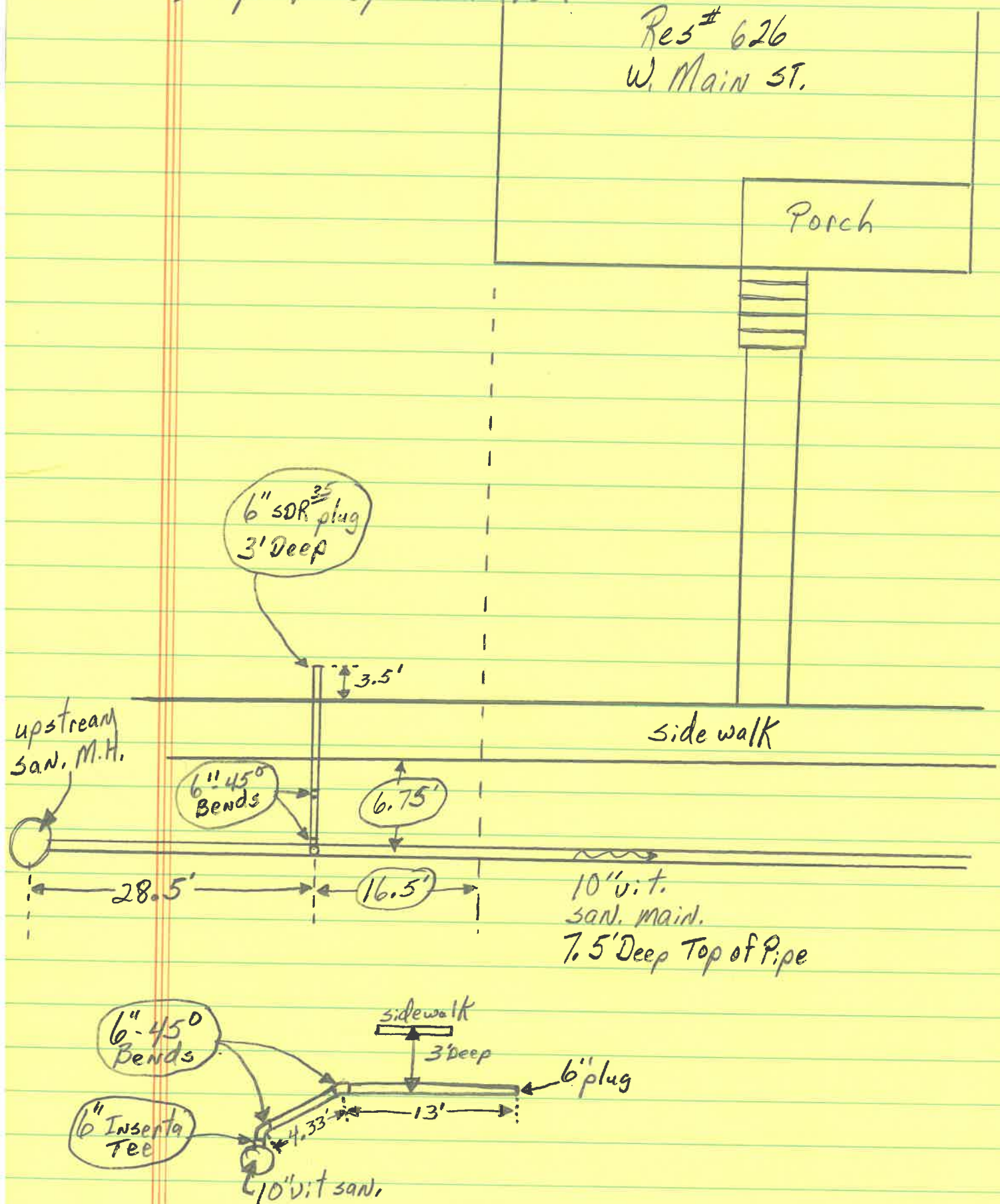
6" plug

6" Insert
 Tee

10" v.t. san.

4.33'

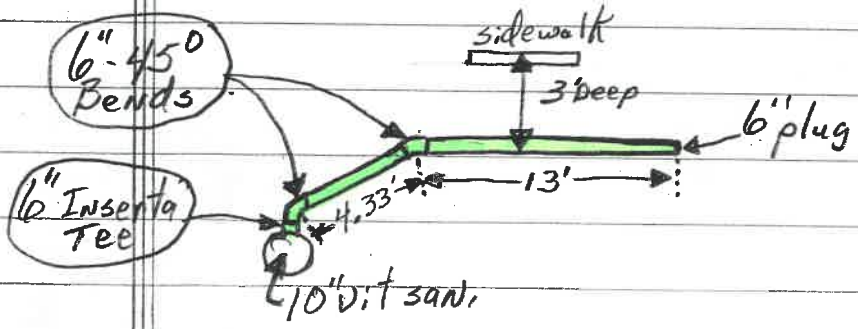
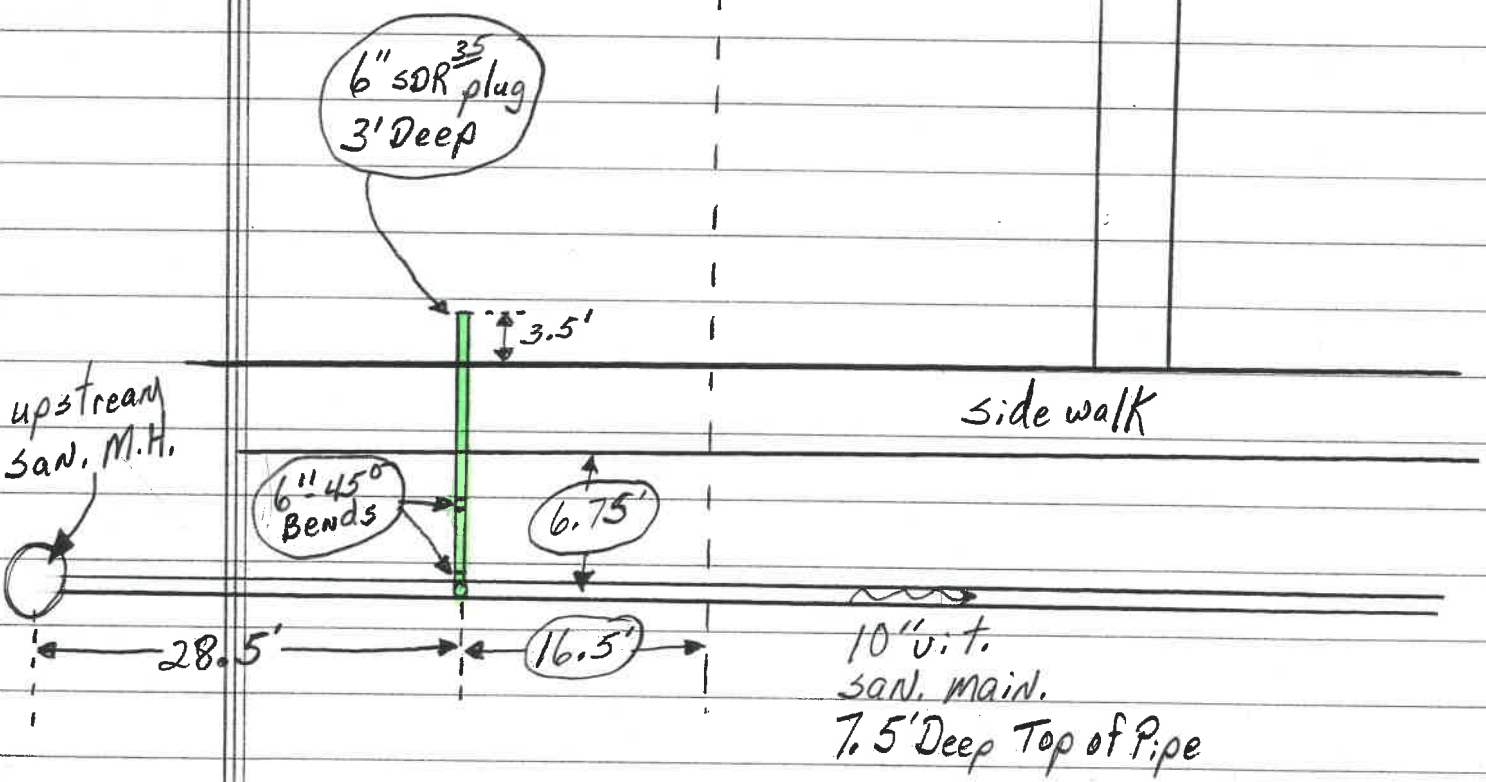
13'



Date Installed: 11-8-05
Installed by: Vernon Nagel Constr.
Inspected by: Rex Moll

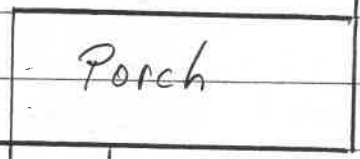
Res # 626
W. Main St.

Porch



Date Installed: 11-8-05
 Installed by: Vernon Nagel Constr.
 Inspected by: Rex Moll

Res# 626
 W. Main St.



6" SDR³⁵ plug
 3' Deep

upstream
 San. M.H.

